

JEILMEDICAL

www.jeilmed.co.kr

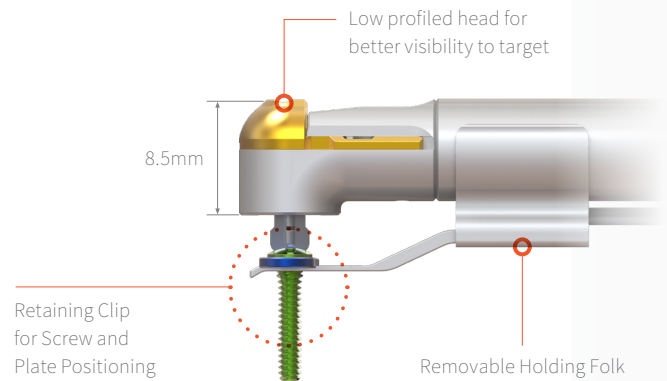
Le Forte ANGLED DRIVER

for Oral & Maxillofacial Surgery

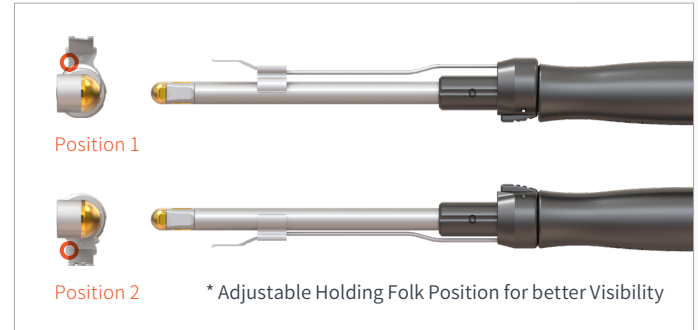


Craniomaxillofacial

Ergonomic Design, Variety of Use & Reliable Force Transmission



- For right-angled drilling and screw insertion
- Optimal for intraoral approach to mandibular bone
- Complete disassembly for perfect cleaning
- Improved power transmission for increased stability
- Compatible with commercial dental handpieces (ISO 3964)
- Maximum drill speed of 2,000 rpm
- Two Holding Fork Positions for better visibility to target*



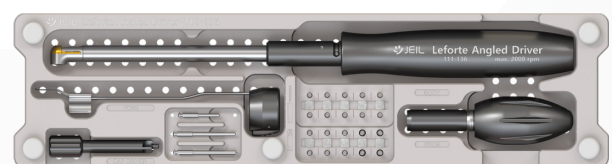
Compatible Screw List

Code	Description	Driver shaft
12-MC-0XX	Micro Screws	113-MC-501
241.0113XX		113-NF-501
16-MD-0XX	Mid Screws	113-MD-501
241.0116XX		113-NF-501
20-MN-0XX	Mini Screws	113-MN-501
241.0120XX / 241.0320XX		113-MX-501
24-MX-0XX	Maxi Screws	113-MX-501
241.0124XX / 241.0324XX		113-MX-501

Technical Data

Gear ratio	Standard Motor connection	Standard Chuck System	Max. Input Speed
1.7:1	ISO 3964	ISO3964 / Ø2.35mm	2,000 rpm

Kit Configuration



Leforte Angled Driver, Cap Driver, Drill Bits, Screwdriver Shafts

JEILMEDICAL